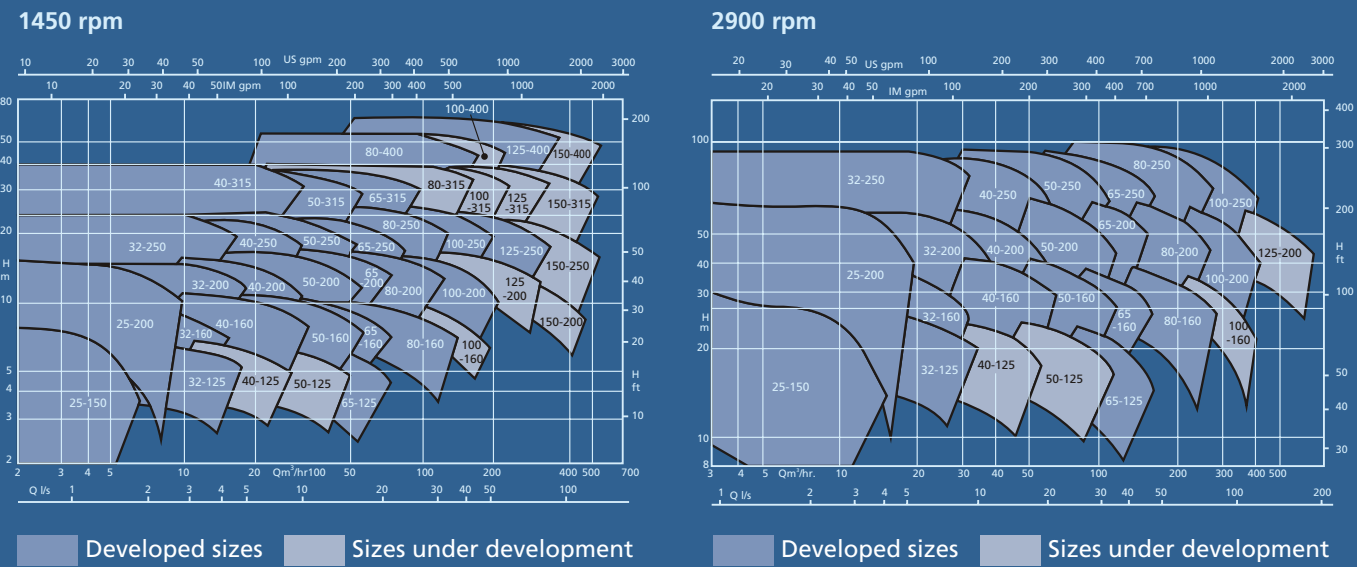


Performance range

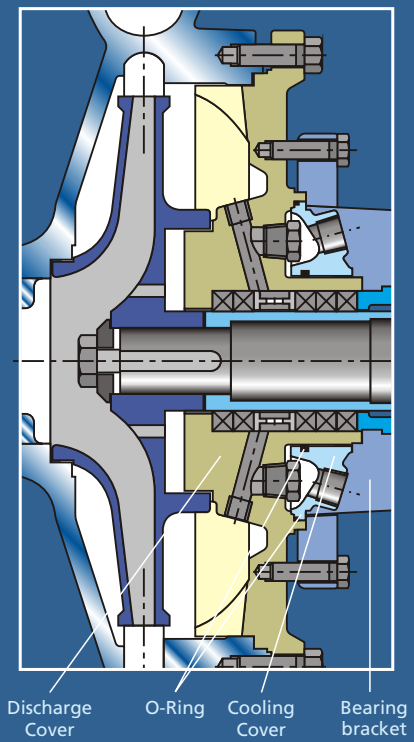


Materials

Designation	Material execution
Volute Casing	CF8M
Discharge Cover	CF8M
Cooling Cover ¹⁾	C.I.
Impeller	CF8M
Bearing Bracket	C.I.
Shaft protection sleeve	Type 316
Shaft ²⁾	45C8

1) Optional
2) Also available in Type 410/AISI 329

Option : Use of cooling cover



Technical matter. Subject to change without notice.

753856

End suction centrifugal process pumps. Designed as per ISO 2858 (16 bar)



Flanges
With standard ANSI
drilling

Quality castings
Computerized strength analysis
ensures safety & ruggedness

**Maintenance free bearing
lubrication arrangements offer**
High operating reliability
Grease packed for life time
(Designed to suit 60 Hz operation)

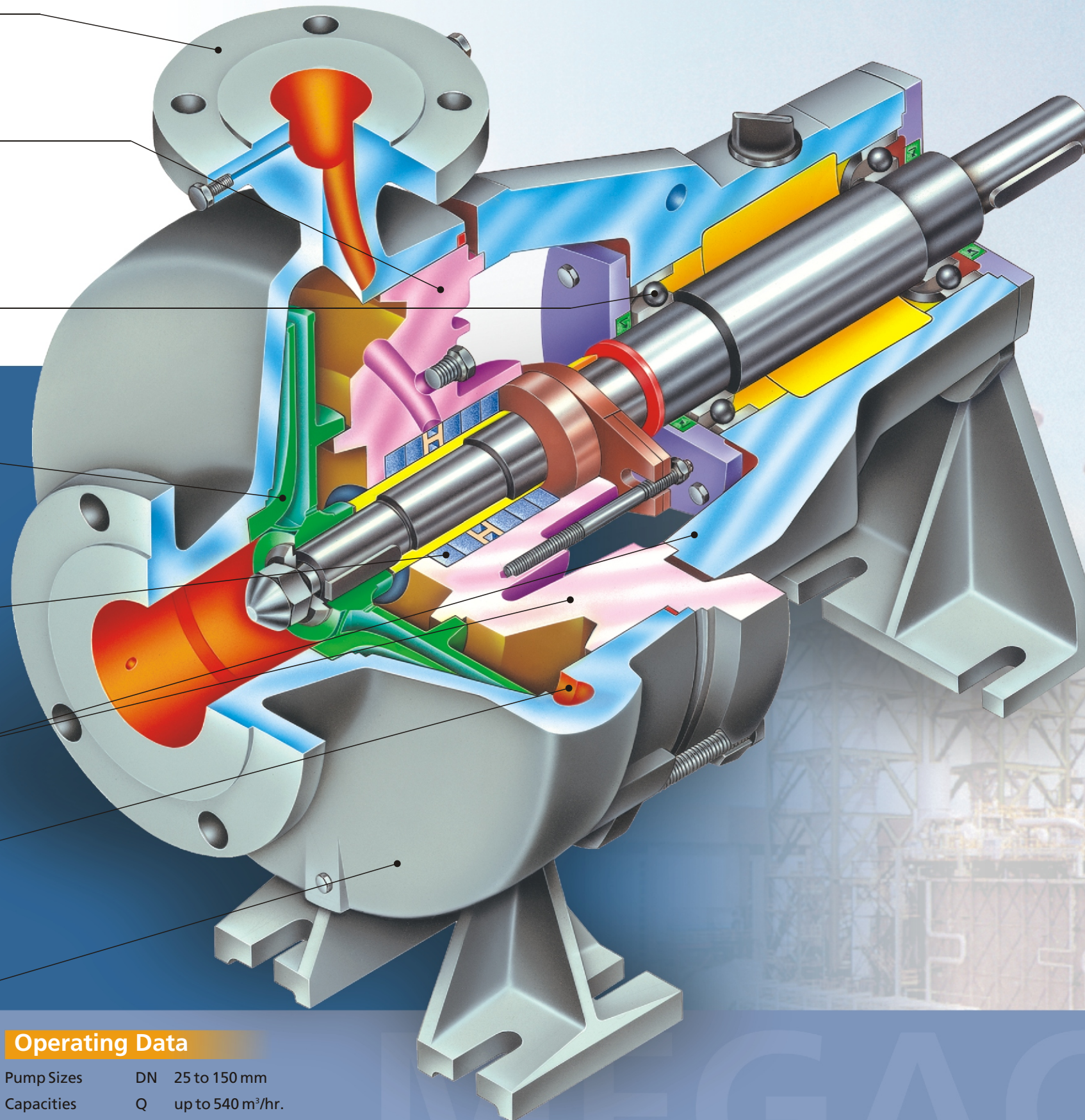
**Greater reliability and
lower operating cost**
With optimized
performance design

Versatile shaft seal arrangement
By gland packing
Option to use standard
unbalanced mechanical seal

Modular design concept
- higher interchangeability
- lower inventory
- faster delivery

Environment friendly
Lower noise & vibration levels

Process type design
Results in minimum
downtime



Applications

Handling of aggressive, organic and inorganic liquids in chemical and process industries like paper, cellulose, sugar, food, textile, drugs, pharmaceutical, breweries and distilleries.

Operating Data

Pump Sizes	DN	25 to 150 mm
Capacities	Q	up to 540 m ³ /hr.
Heads	H	up to 100 m
Pressure	P	up to 16 bar
Temperature	t	-30 to +200°C